

## GENERAL

The use of corrosion coupons is the most common method of measuring internal corrosion, and is critical to establishing a monitoring baseline.

The disc coupon holder is designed to hold disc-shaped coupons, positioning them flush with the pipe wall or projecting into the line. The use of disc coupons has certain advantages over the strip coupon design, such as:

- 1) The coupon is placed flush with the pipe wall so that the environmental effects on the wall can be closely simulated.
- 2) When placed in the flush position, the coupon does not protrude into the line and interfere with pigging.
- 3) The coupon does not require orientation to product flow.

With the use of the Caproco access fitting, retriever and service valve, the disc coupon holder allows for easy, rapid changing of coupons without system shutdown.

## APPLICATION

The disc coupon holder assembly is available in two styles:

- 1) Adjustable Disc
- 2) Fixed Flush / Projecting Disc

The Adjustable Disc coupon holder is available for different access fitting sizes and has an adjusting screw design to suit the pipeline size and preferred location of the coupon.

The Fixed Flush and Projecting Disc coupon holder comes in pre-determined sizes depending on the position required for monitoring.

The strip coupon holder attaches to the bottom of the Caproco solid plug assembly. A left-handed thread connection ensures that the holder cannot come loose when the plug is unscrewed from the access fitting. The holder replaces the packing retaining nut on the solid plug, retaining the packing as well as holding the coupons in the desired monitoring position.

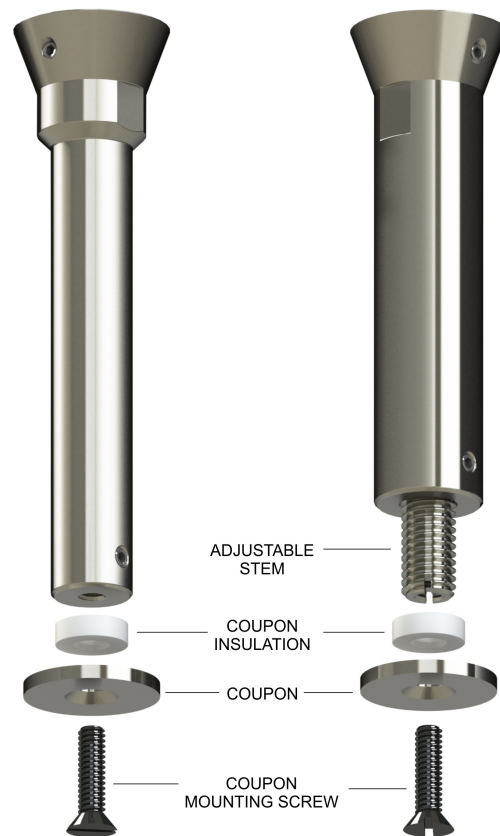
One advantage of the Caproco disc coupon holder design is its one-piece construction. Some designs in the market consist of a body welded to a head, which can be susceptible to operating conditions and may eventually separate.

The Caproco strip coupon holder is supplied complete with mounting hardware. Coupon insulation comes pre-installed on the coupons.

## SPECIFICATIONS

Caproco disc coupon holders are manufactured from 316 stainless steel, with a Teflon-coated coupon mounting screw.

Maximum Operating Pressure	3,600 psi (24.8 MPa)
Maximum Operating Temperature	500°F (260°C)



## ORDERING INFORMATION

The following information is required to calculate the length (L) of any disc coupon holder assembly:

- 1) Access Fitting Height (distance from top of access fitting-cover off, to line O.D.)
- 2) Actual (not nominal) Pipe I.D.
- 3) Pipe Wall Thickness
- 4) Desired Position of Coupon

### A) Adjustable Disc Coupon Holders

- 1) Select holder as determined by height of access fitting used
- 2) Determine wall thickness and other distances to provide flush mounting of coupons
- 3) Adjust stem accordingly and lock into place with set screw (maximum travel length of stem is 1.5" / 38.1mm)

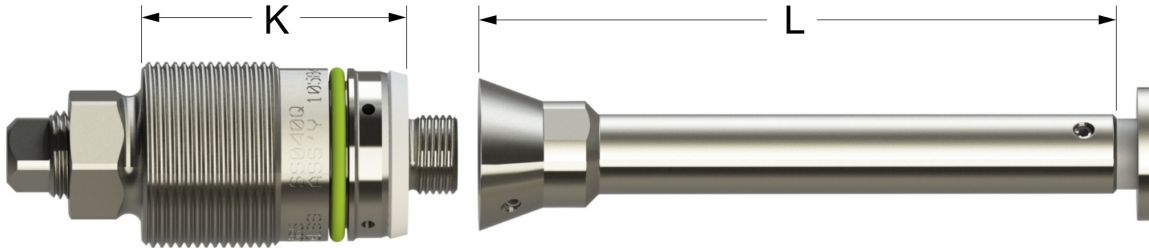
## ADJUSTABLE DISC COUPON HOLDER ASSEMBLIES

DESCRIPTION	PART NUMBER
Adjustable Disc Coupon Holder Assembly for a 5 1/4" (133mm) Access Fitting Body	10575
Adjustable Disc Coupon Holder Assembly for a 6 1/4" (159mm) Access Fitting Body	10576
Adjustable Disc Coupon Holder Assembly for a 7 1/4" (184mm) Access Fitting Body	10577
Adjustable Disc Coupon Holder Assembly for a 8 1/4" (210mm) Access Fitting Body	10578

**Holdings of any length or material available upon request.**

All holders supplied complete with:

- Teflon Insulation (P/N 33023)
- Teflon Coated SS Mounting Screw (P/N 56174)

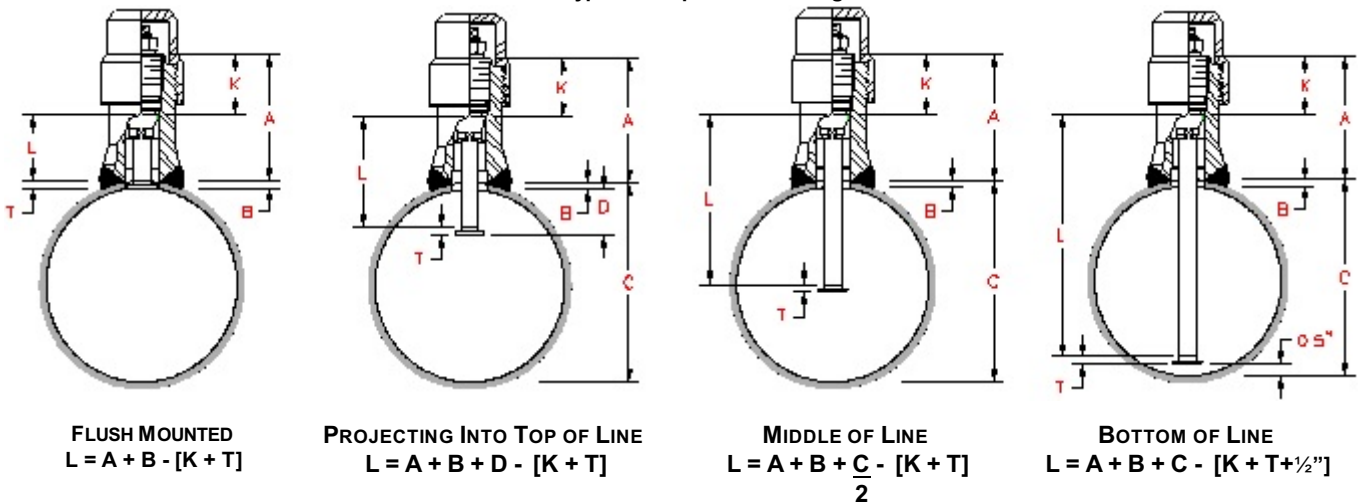


### B) Fixed Flush and Projecting Disc Coupon Holders

#### Key:

<b>A =</b> Access Fitting Height [distance from top of access fitting (cover off) to line O.D.]	<b>D =</b> Insertion Distance (as per customer requirement)
<b>B =</b> Pipe Wall Thickness	<b>T =</b> Coupon and Insulator Thickness (Standard = 0.32" / 8.2mm)
<b>K =</b> Constant (plug height: 2.5" / 63.5mm)	<b>L =</b> Length of Holder Required
<b>C =</b> Pipe - inside diameter	

#### Typical Coupon Positioning



**DISC COUPON HOLDER ~ RETRIEVABLE**

**FIXED FLUSH AND PROJECTING DISC COUPON HOLDER SELECTION CHART**

Length		Part Number	Length		Part Number	Length		Part Number	Length		Part Number	Length		Part Number
Inches	mm		Inches	mm		Inches	mm		Inches	mm		Inches	mm	
2	51	10343	6	152	10375	10	254	10407	14	356	10439	22	559	10467
2 1/8	54	10344	6 1/8	156	10376	10 1/8	257	10408	14 1/4	362	10440	22 1/2	572	10468
2 1/4	57	10345	6 1/4	159	10377	10 1/4	260	10409	14 1/2	368	10441			
2 3/8	60	10346	6 3/8	162	10378	10 3/8	264	10410	14 3/4	375	10442	23	585	10469
2 1/2	64	10347	6 1/2	165	10379	10 1/2	267	10411				23 1/2	597	10470
2 5/8	67	10348	6 5/8	168	10380	10 5/8	270	10412	15	381	10443			
2 3/4	70	10349	6 3/4	171	10381	10 3/4	273	10413	15 1/4	387	10444	24	610	10471
2 7/8	73	10350	6 7/8	175	10382	10 7/8	276	10414	15 1/2	394	10445	24 1/2	623	10472
									15 3/4	400	10446			
3	76	10351	7	178	10383	11	279	10415				25	635	10473
3 1/8	79	10352	7 1/8	181	10384	11 1/8	283	10416	16	406	10447	25 1/2	648	10474
3 1/4	83	10353	7 1/4	184	10385	11 1/4	286	10417	16 1/4	413	10448			
3 3/8	86	10354	7 3/8	187	10386	11 3/8	289	10418	16 1/2	419	10449	26	660	10475
3 1/2	89	10355	7 1/2	191	10387	11 1/2	292	10419	16 3/4	425	10450			
3 5/8	92	10356	7 5/8	194	10388	11 5/8	295	10420				27	686	10476
3 3/4	95	10357	7 3/4	197	10389	11 3/4	298	10421	17	432	10451			
3 7/8	98	10358	7 7/8	200	10390	11 7/8	302	10422	17 1/4	438	10452	28	711	10477
									17 1/2	445	10453			
4	102	10359	8	203	10391	12	305	10423	17 3/4	451	10454	29	737	10478
4 1/8	105	10360	8 1/8	206	10392	12 1/8	308	10424						
4 1/4	108	10361	8 1/4	210	10393	12 1/4	311	10425	18	457	10455	30	762	10479
4 3/8	111	10362	8 3/8	213	10394	12 3/8	314	10426	18 1/4	464	10456			
4 1/2	114	10363	8 1/2	216	10395	12 1/2	318	10427	18 1/2	470	10457	31	787	10480
4 5/8	117	10364	8 5/8	219	10396	12 5/8	321	10428	18 3/4	476	10458			
4 3/4	121	10365	8 3/4	222	10397	12 3/4	324	10429				32	813	10481
4 7/8	124	10366	8 7/8	225	10398	12 7/8	327	10430	19	483	10459			
									19 1/4	489	10460	33	838	10482
5	127	10367	9	229	10399	13	330	10431	19 1/2	495	10461			
5 1/8	130	10368	9 1/8	232	10400	13 1/8	333	10432	19 3/4	502	10462			
5 1/4	133	10369	9 1/4	235	10401	13 1/4	337	10433						
5 3/8	137	10370	9 3/8	238	10402	13 3/8	340	10434	20	508	10463			
5 1/2	140	10371	9 1/2	241	10403	13 1/2	343	10435	20 1/2	521	10464			
5 5/8	143	10372	9 5/8	244	10404	13 5/8	346	10436						
5 3/4	146	10373	9 3/4	248	10405	13 3/4	349	10437	21	534	10465			
5 7/8	149	10374	9 7/8	251	10406	13 7/8	352	10438	21 1/2	546	10466			

**Holders of any length or material available upon request**

All holders supplied complete with:

- Teflon Insulation (P/N 33023)
- Teflon Coated SS Mounting Screw (P/N 56174)